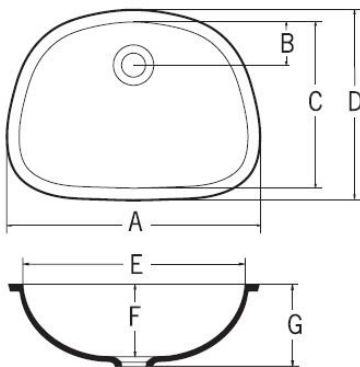


Shaped Products : Staron® Solid surfaces sinks and bowls

- Available in three colors
- Bright white / Ivory / Pearl

A3201

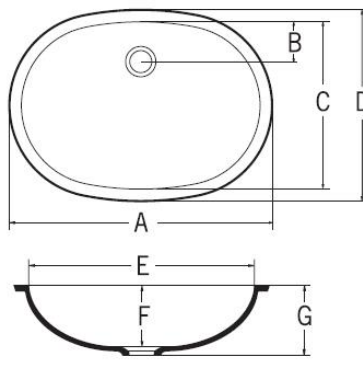
Bowl



A	20-3/8" (517mm)
B	3-3/8" (86mm)
C	13-5/8" (346mm)
D	15-3/16" (386mm)
E	18-13/16" (477mm)
F	5-1/2" (140mm)
G	6-3/16" (157mm)

A3211

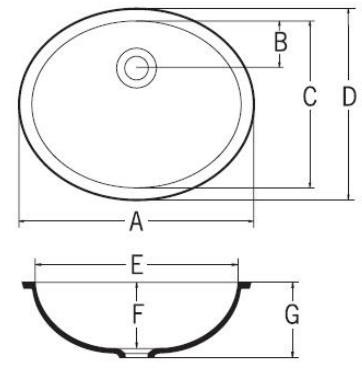
Bowl



A	21-9/16" (548mm)
B	2-5/8" (66mm)
C	14" (356mm)
D	15-9/16" (396mm)
E	20" (508mm)
F	6-1/8" (156mm)
G	6-13/16" (173mm)

A3181

Bowl



A	18-3/16" (462mm)
B	3-11/16" (94mm)
C	13-1/4" (336mm)
D	14-13/16" (376mm)
E	16-5/8" (422mm)
F	5-1/2" (139mm)
G	6-1/8" (156mm)

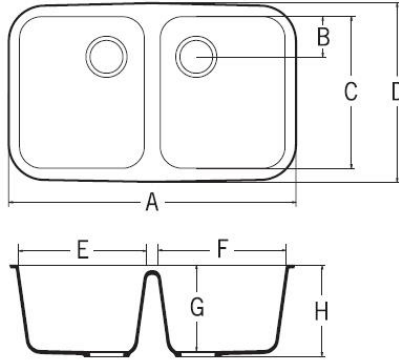
This Technical Bulletin is intended to provide guidelines for optimal fabrication, installation, and performance of LOTTE ADVANCED MATERIALS products mentioned. Though the information contained herein is deemed reliable, none of the contents--including but not limited to the instructions, techniques, graphics, and recommendations--is to be understood as implying legal liability of fitness for a specific purpose, any other type of warranty, or being complete or absolute in its range and nature of information.

Depending on the user's particular application, all necessary measures must be taken to verify and test the adequacy for such needs or application. Any information or recommendation herein is strictly for purposes of reference and as such, LOTTE ADVANCED MATERIALS assumes no responsibility for its suitability or accuracy or the use of such information for products other than LOTTE ADVANCED MATERIALS Staron® solid surfaces & Radianz® quartz surfaces.

SN-302-2016

A2311

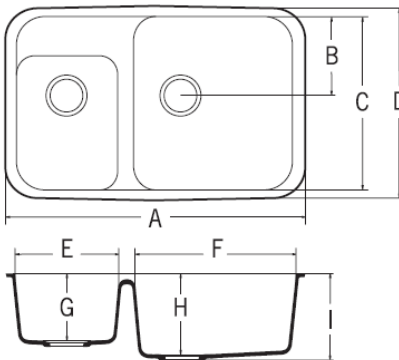
Sink



A	31-1/4" (794mm)
B	4-15/16" (110mm)
C	16-9/16" (421mm)
D	18-15/16" (481mm)
E	13-11/16" (348mm)
F	13-11/16" (348mm)
G	9-1/4" (235mm)
H	9-13/16" (250mm)

A2321

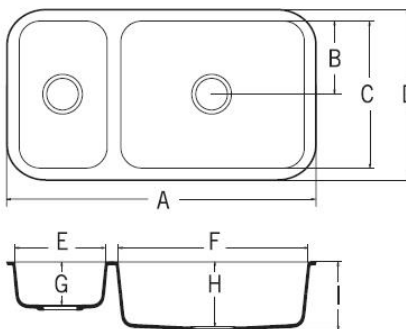
Sink



A	32-13/16" (834mm)
B	8-13/16" (244mm)
C	19-1/4" (488mm)
D	21-9/16" (548mm)
E	11-5/16" (287mm)
F	17-9/16" (446mm)
G	7-1/2" (191mm)
H	9" (229mm)
I	9-5/8" (244mm)

A2341

Sink



A	34-7/8" (886mm)
B	8-3/8" (213mm)
C	16-3/4" (426mm)
D	19-1/8" (486mm)
E	10" (254mm)
F	21" (533mm)
G	5" (127mm)
H	7-1/2" (191mm)
I	8-1/16" (206mm)

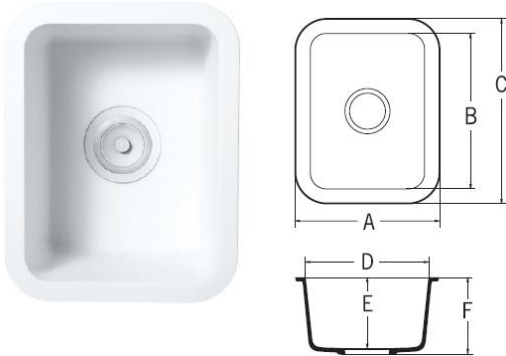
This Technical Bulletin is intended to provide guidelines for optimal fabrication, installation, and performance of LOTTE ADVANCED MATERIALS products mentioned. Though the information contained herein is deemed reliable, none of the contents--including but not limited to the instructions, techniques, graphics, and recommendations--is to be understood as implying legal liability of fitness for a specific purpose, any other type of warranty, or being complete or absolute in its range and nature of information.

Depending on the user's particular application, all necessary measures must be taken to verify and test the adequacy for such needs or application. Any information or recommendation herein is strictly for purposes of reference and as such, LOTTE ADVANCED MATERIALS assumes no responsibility for its suitability or accuracy or the use of such information for products other than LOTTE ADVANCED MATERIALS Staron® solid surfaces & Radianz® quartz surfaces.

SN-302-2016

A1121

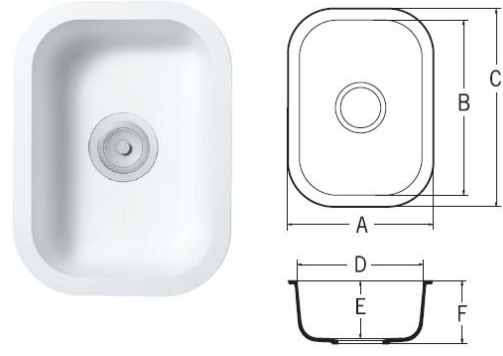
Sink



A	12-13/16" (326mm)
B	14" (356mm)
C	16-3/8" (416mm)
D	10-3/8" (266mm)
E	6-1/2" (165mm)
F	7-1/16" (180mm)

A1131

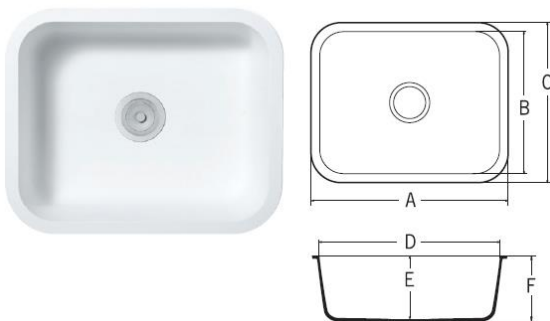
Sink



A	13-7/16" (341mm)
B	15-3/4" (400mm)
C	18-1/8" (460mm)
D	11-1/16" (281mm)
E	5-1/4" (133mm)
F	5-7/8" (148mm)

A1231

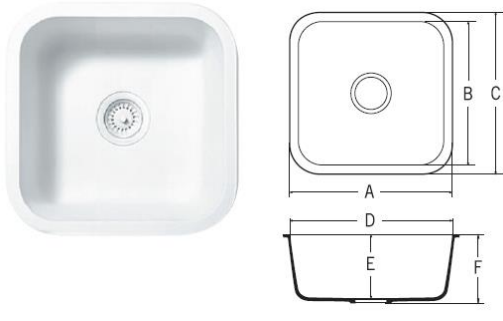
Sink



A	23-5/16" (592mm)
B	16-5/8" (422mm)
C	19" (482mm)
D	20-15/16" (532mm)
E	7-3/8" (187mm)
F	7-15/16" (202mm)

A1181

Sink



A	18-1/8" (460mm)
B	15-3/4" (400mm)
C	18-1/8" (460mm)
D	15-3/4" (400mm)
E	8-3/16" (208mm)
F	8-7/8" (225mm)

This Technical Bulletin is intended to provide guidelines for optimal fabrication, installation, and performance of LOTTE ADVANCED MATERIALS products mentioned. Though the information contained herein is deemed reliable, none of the contents--including but not limited to the instructions, techniques, graphics, and recommendations--is to be understood as implying legal liability of fitness for a specific purpose, any other type of warranty, or being complete or absolute in its range and nature of information.

Depending on the user's particular application, all necessary measures must be taken to verify and test the adequacy for such needs or application. Any information or recommendation herein is strictly for purposes of reference and as such, LOTTE ADVANCED MATERIALS assumes no responsibility for its suitability or accuracy or the use of such information for products other than LOTTE ADVANCED MATERIALS Staron® solid surfaces & Radianz® quartz surfaces.